

VENTILATE ECONOMICALLY

EC Circular Fan



Low
Energy



Full Speed
Modulation



Quiet
Operation



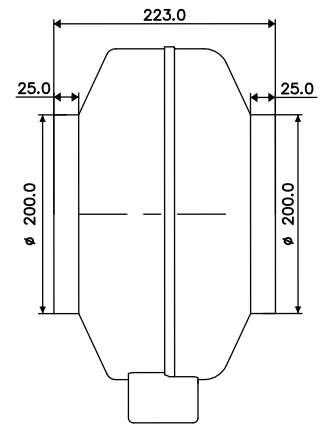
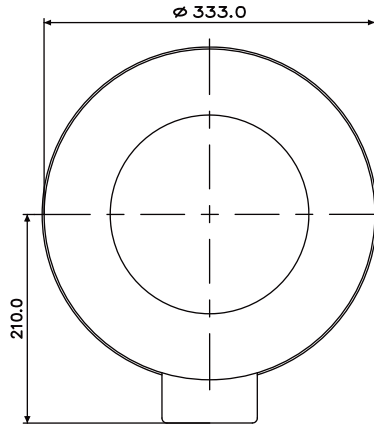
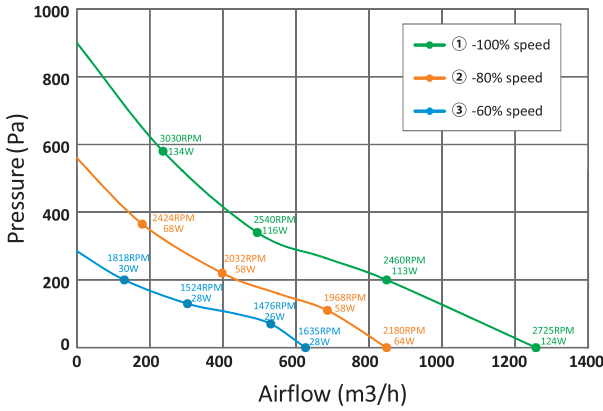
Pay Back is
1.5 - 2 Years

Technical Data

Model	Voltage	Frequency	Protection	Insulation Class	Speed RPM	Power Input Watts	Current Amps	Sound Pressure db(A)	Working ambient temp range	Weight Kgs
CF-200EC	230	50	IP-44	B	2725	124	1	53	-25 to 60deg C	5.7
CF-315EC	230	50	IP-44	B	2355	142	1.15	52	-25 to 60deg C	6.6

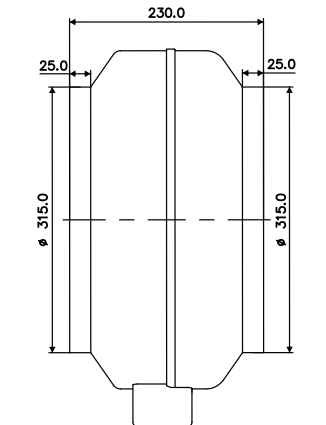
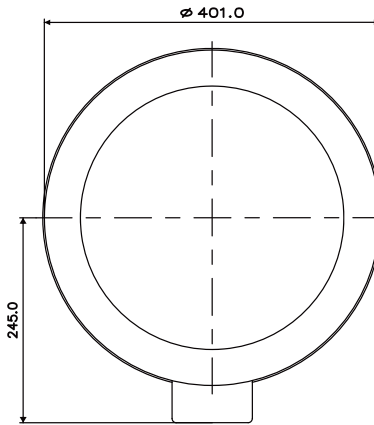
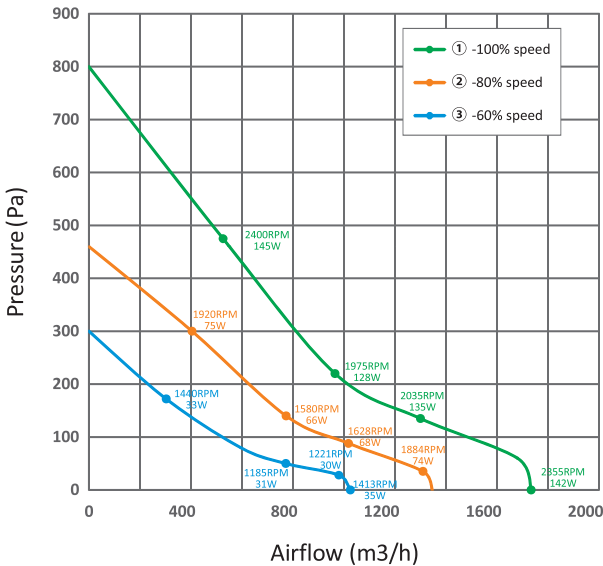
200EC Circular Fan

S.No	1	2	3	4	5	6	7	8	9	10	11	12
Speed [rpm]	2725	2460	2540	3030	2180	1968	2032	2424	1635	1476	1524	1818
Power [W]	124	113	116	134	64	58	58	68	28	26	28	30



315EC Circular Fan

S.No	1	2	3	4	5	6	7	8	9	10	11	12
Speed [rpm]	2355	2035	1975	2400	1884	1628	1580	1920	1413	1221	1185	1440
Power [W]	142	135	128	145	74	68	66	75	35	30	30	33



Caryaire Equipments India Pvt. Ltd.

Head Office : B-34, Sector 85, Noida - 201 305, Uttar Pradesh (India)

Tel : +91 9818685552 E-mail : sales@caryaire.com

Mumbai : 207, Blue Rose Industrial Estate, Off Western Express Highway, Borivali (E), Mumbai - 400 066 Tel : 022 6570 2056/57 E-mail : salesmumbai@caryaire.com

Bangalore : 687, 16th Main, 39th Cross, Jayanagar 4th T Block, Bangalore - 560 041

Tel : 080 2665 2550/1323/1423 Email : salesbangalore@caryaire.com

www.caryaire.com

CA/15/10/15/150/R2
CARYAIRE reserves the right for technical modifications without notice.
sales@perfactimpac.net