

TWISTER CEILING FAN



DESIGNER'S DELIGHT

- ☞ Suitable Even for Low Ceiling Heights
- ☞ No Light Shadows / Cutting
- ☞ Maintains Ceiling Aesthetics

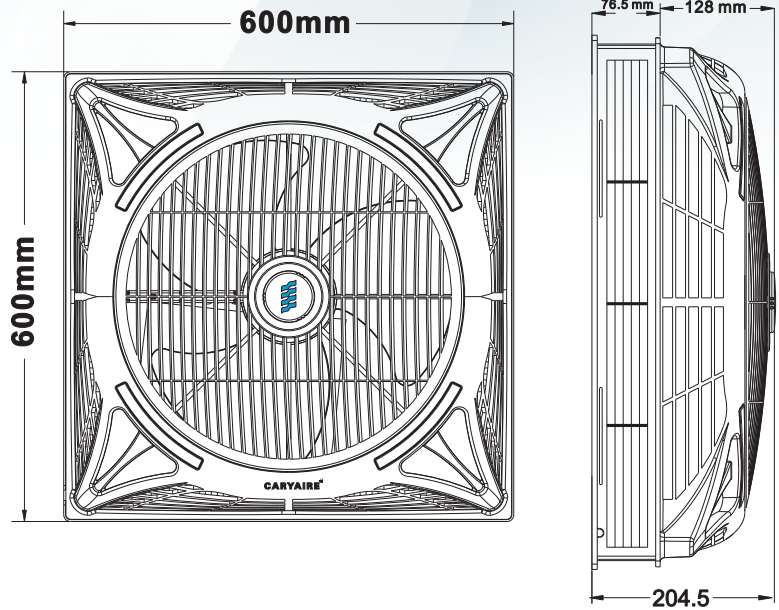
OCCUPANT'S DELIGHT

- ☞ Effective Air Circulation
- ☞ Low Air Drafts
- ☞ Speed Controls with Remote

Twister Ceiling Fan

» Features :

- Elegant Design Suitable for Modern Interiors
- Superior Air Flow Performance
- Low Noise Operation
- 3 Speed Remote Control
- Swirling Front Fascia for Effective Air Circulation
- Suitable for Grid Ceiling or Flat Ceiling
- High Quality All-Copper Winding Motor with Japanese Ball Bearing



» Specification :

Model	Voltage	Power (w)	Air Flow (cmh)	Noise (db)	Outer Size (mm)
Twister-18	220-240	90	3300	52	600x600